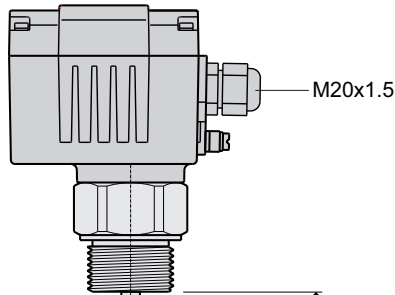


Full, empty and demand indicator for simple applications

Materials	Housing	Aluminium pressure casting, RAL 7001 coated
	Process connection	Aluminium
	Shafts, rope	Stainless steel 1.4301 / 304
	Tensioning weight	Atainless steel 1.4301 / 304
	Blade TK	Plastic PP
	Blade TD	Stainless steel 1.4301 / 304
Signal contact		2 A / 250V AC potential-free
Type of protection		IP66 in accordance with DIN EN 60529
Ambient temperature		T _a -20 °C ... +70 °C
Bulk goods temperature		T(Process) -25 °C ... +80 °C
Pressure range		p(Process) -0.5 bar ... 1 bar
Maintenance		none

Compact aluminium housing

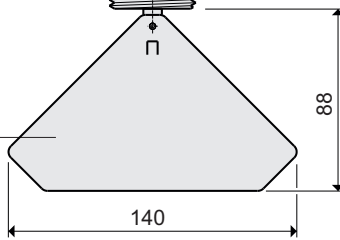
Order code
DF11A1CnG2ATD



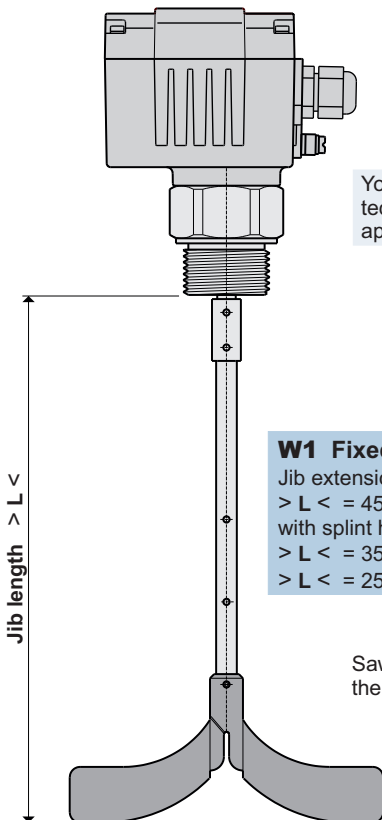
To be used with preference as full indicator!

Measuring blade TD

001-0101



Jib length > L < 13 mm longer by measuring blade TD

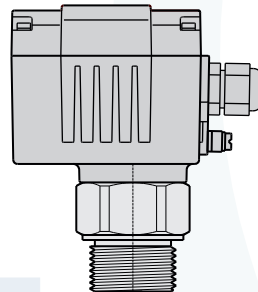


W1 Fixed shaft

Jib extension
> L < = 450 mm
with splint hole for
> L < = 350 and
> L < = 250 mm

Saw off shaft 10 mm behind the used splint hole.

001-0102



Buckling protector

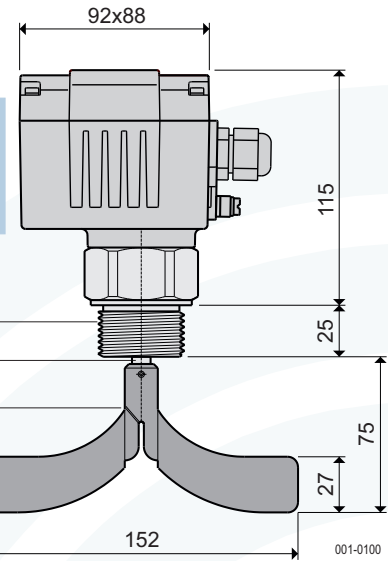
W3 Pendulum shaft

Jib extension
> L < = 500 mm
with splint hole for
> L < = 400 and
> L < = 300 mm

001-0103

Compact aluminium housing

Order code
DF11A1CnG2ATK



Process connection

Blade shaft

Blade can be sawn off here

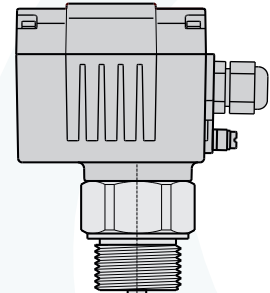
Measuring blade TK

001-0100

We recommend sawing off the plastic blade on one side, when using as empty indicator.

Ex -Info

The measuring blade TK150 is not for use in containers being filled by a pneumatic conveyor.



W6 Rope shaft

Jib extension
> L < = 2000 mm
The rope can be shortened depending on requirement.

Tensioning weight

001-0104

Choice of options with

Certifications, certificates, approvals

- B0** **Standard** = CE conform and IP66
- B1** ATEX Ⓜ II 1/2D IIIC **Dust**
- B3** ATEX Ⓜ II 1/3D IIIB **Dust**
- B9** Further approvals on request

Supply voltage / Supply

- C1** 220...240V AC (50...60Hz)
- C2** 110...120V AC (50...60Hz)
- C3** 48V AC (50...60Hz)
- C4** 24V AC (50...60Hz)
- C5** 24V DC

Signal lamps

- Standard** = without function LEDs
- H5** with function LEDs
- H6** Functions LEDs with collar ¹⁾

Process connection in aluminium

- G1A** Thread G1 DIN/ISO 228
- G2A** Thread G1¼ DIN/ISO 228
- G3A** Thread G1½ DIN/ISO 228
- G5A** Thread M30x1.5
- G6A** Thread M32x1.5

Measuring blade

M0 **without measuring blade**

>>> inexpensive in plastic

- TK** Blade TK150 150x27
- TK3** 3 blades TK150 150x120

>>> inexpensive in stainless steel

- TD** Blade TD140 140x85
- S1** Socket blade 100x30 inclined ²⁾

>in stainless steel,
dimensions please see DF-GI-26

- X1** Blade X50 98x50
- X2** Blade X100 98x100
- X3** Blade X200 180x100

Jib extension

- W0** **Standard** = without extension
- W1** Fixed shaft 450mm ..
- W3** Pendulum shaft 500mm ..
- W4** Pendulum shaft 1000mm ..
- W6** Rope shaft 2000mm

DF11A1 ← Order code

Accessories

- SH** Weather protection hood in PVC, RAL 7001
- Certificated only for zone 22 and in non-hazardous areas

Hexagonal nuts in aluminium

- SM1A** Hexagonal nut G1
- SM2A** Hexagonal nut G1¼
- SM3A** Hexagonal nut G1½
- SM5A** Hexagonal nut M30x1,5
- SM6A** Hexagonal nut M32x1,5

- KV1** 2. Standard cable gland
- KV2** 2. Ex cable gland

- MG2** Mounting flange for textile silos with G1¼

Delivery from Stock

ordered until 12°° - dispatched at 16°°

- 1) **not** available together with B1
- 2) **not** available together with W6

€ Prices on request



B0, H9, M0 and **W0** are **not needed** for order code.