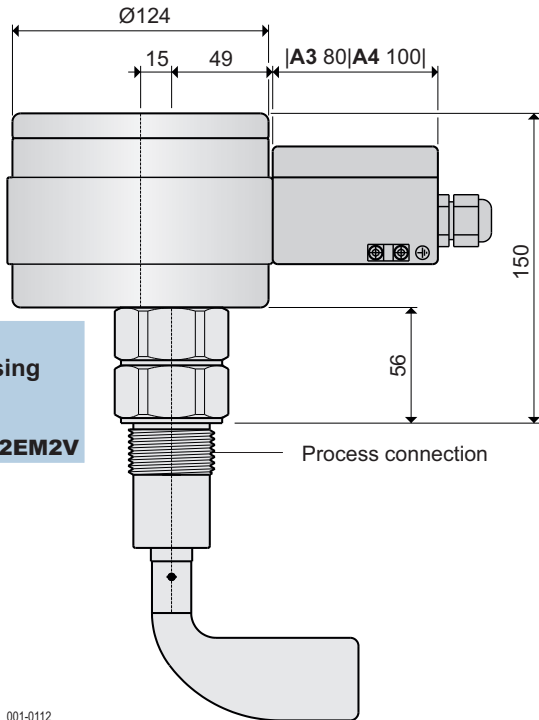


Full, empty and demand indicator for any mounting position with reinforced blade shaft

Signal contact 2 A / 250V AC potential-free
 Type of protection IP66 in accordance with DIN EN 60529
 Maintenance none

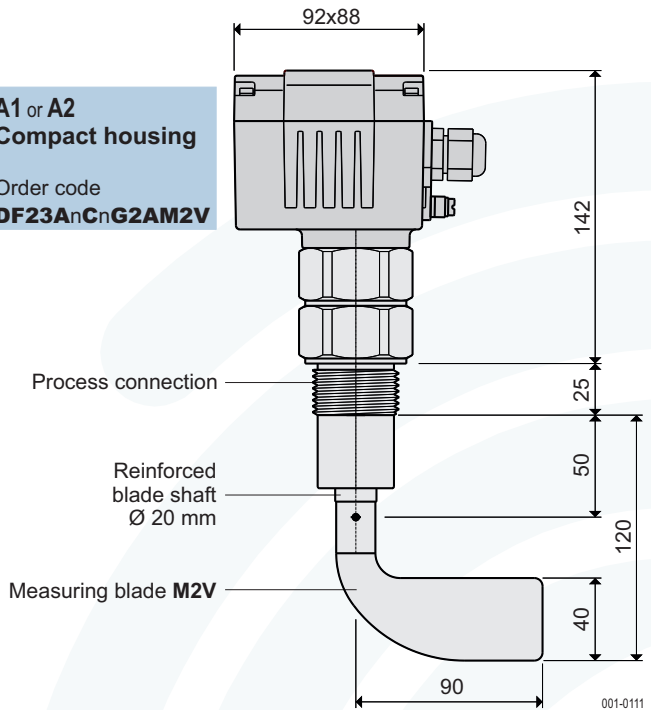


A3 or A4 Round housing
 Order code **DF23AnCnG2EM2V**

001-0112

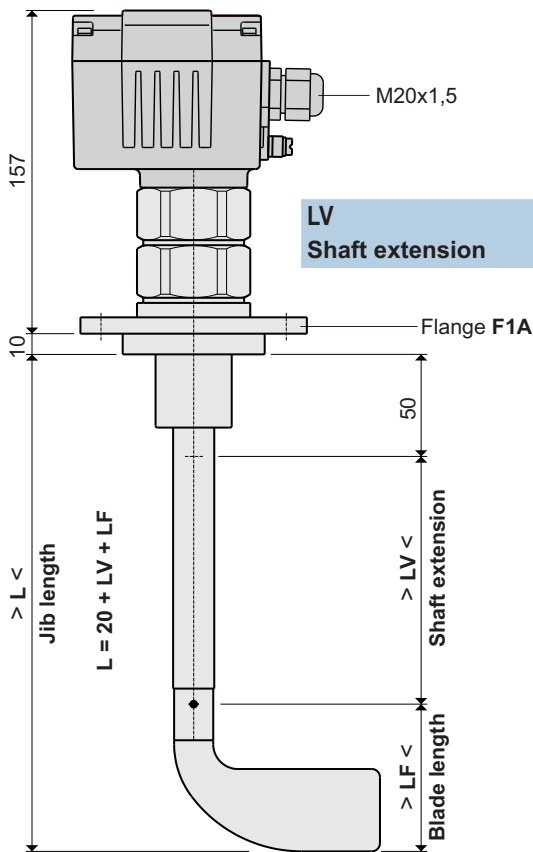
A1 or A2 Compact housing

Order code **DF23AnCnG2AM2V**



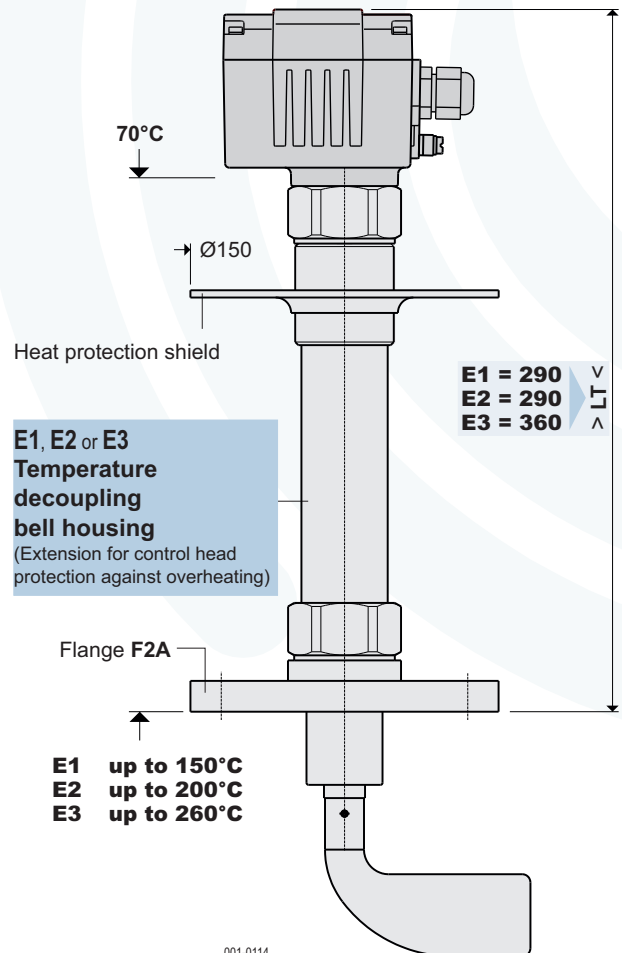
001-0111

You will find further technical details under appliance information DF-GI-..



LV Shaft extension

001-0113



E1, E2 or E3 Temperature decoupling bell housing
 (Extension for control head protection against overheating)

E1 up to 150°C
E2 up to 200°C
E3 up to 260°C

001-0114

4 housing versions to choice

Housing selection
A1 Standard Compact aluminium housing ... CE conform and ATEX Dust
A2 Stainless steel compact housing ... CE conform and ATEX Dust
A3 Aluminium round housing ... ATEX II 2G IIC
A4 Stainless steel round housing ... ATEX II 2G IIC

Choice of options with

- Certifications, certificates, approvals**
B0 Standard = CE conform and IP66
B1 ATEX II 1/2D IIC Dust
B2 ATEX II 1D IIC Dust^{D2)}
B3 ATEX II 1/3D IIB Dust
B9 Further approvals on request

- Supply voltage / Supply**
C1 220...240V AC (50...60Hz)
C2 110...120V AC (50...60Hz)
C3 48V AC (50...60Hz)
C4 24V AC (50...60Hz)
C5 24V DC
C6 12V DC
C7 48V DC
C9 Special voltages on request

- Self-monitoring**
D0 Standard = without monitoring
D1 Function monitoring
D2 Voltage monitoring

- Signal lamps¹⁾**
H0 Standard = with function LEDs
H1 Collar for function LEDs
H2 Signal lamp, LED green
H8 Large signal lamp, LED green

- Bulk goods temperature/T_(process)**
E0 Standard = -25°C...+80°C²⁾
E1 -40°C...+150°C only with R7
E2 -25°C...+200°C only with R7
E3 -25°C...+260°C only with R7
E7 Device heating 2.5 Watt

- Container pressure / p_(process)**
P0 Standard = -0.5...5 bar³⁾
P1 -0.5 bar...10 bar
P2 -0.95 bar...25 bar⁴⁾
P6 -0.9 bar...10 bar
P7 -0.9 bar...10 bar⁵⁾

- Process connection**
- | | | | |
|----|-----------------------------------|---|------------|
| G2 | Thread G1¼ DIN/ISO 228 | X | X |
| G3 | Thread G1½ DIN/ISO 228 | X | X |
| G4 | Thread G2 DIN/ISO 228 | X | X |
| F1 | Flange F70 Ø110, 4xØ9, Lk90 | X | X |
| F2 | Flange F100 150x150, 4xØ18, Lk170 | X | X |
| F6 | Flange DN100 PN 6 | | X |
| F7 | Flange DN100 PN 16 | | X |
| F9 | Other flanges | | on request |

- Material of process connection**
A Aluminium
E Stainless steel 1.4301 / 304
X Other materials on request
Z Bearing in stainless steel add as suffix to selected connection e.g. G4EZ

- Seal ring**
R6 Standard = Seal ring in NBR, black suitable for the majority of bulk goods
R7U1X Seal ring in PTFE, white FDA only for special applications

- Measuring blade**
M0 without measuring blade
S2V Socket blade 130x30 inclined...
M1V Socket blade 90x28
M2V Socket blade 90x40
T1V Blade T50 98x50
T2V Blade T100 98x100
SG Socket blade 126x8
M9 other measuring blades.... on request

Measuring blade passes through tight hole of:
G2, G3, G4and all flanges
G2, G3, G4and all flanges
G3, G4 and all flanges
F2, F6, F7
F2, F6, F7
G2, G3, G4and all flanges

All larger dimensioned blades **can not** be inserted through the tight holes and must be mounted from the inside.

- Jib extension**
Standard = Shaft length (LV0000 not applicable)
LV Shaft extension, reinforced shaft

0 0 0 0 enter required length, up to max. 2000 mm in 100 mm steps

Accessories

- SH** Weather protection hood in PVC, RAL 7001 Certified only for zone 22 and in non-hazardous areas
- | | | | |
|-----|-------------------|---|---|
| SM2 | Hexagonal nut G1¼ | X | X |
| SM3 | Hexagonal nut G1½ | X | X |
| SM4 | Hexagonal nut G2 | X | X |
- Material of nuts**
A Aluminium
E Stainless steel 1.4301 / 304
- KV1** 2. Standard cable gland
KV2 2. Ex cable gland

Delivery from Stock

ordered until 12⁰⁰ - dispatched at 16⁰⁰

- D2)** delivery only together with D2 or D1
1) H1 and H2 with B0 or B3, H8 only with B0 deliverable
2) max. bulk goods temperature at B2 = -20°C...+45°C
3) container pressure at B1, B2 and B3 = -0.08bar...+0.08bar (-80...+80mbar)
4) with area separating element DF-P2 (gas-tight and leakproof)
5) with pressure decoupling bell housing DF-P7 (pressure separating)
5) !!! usage for differences in pressure within ATEX areas !!!

€ Prices on request



B0, D0, H0, E0, P0 and M0 are **not needed** for order code

DF23 0 0 0 0 ← Order code