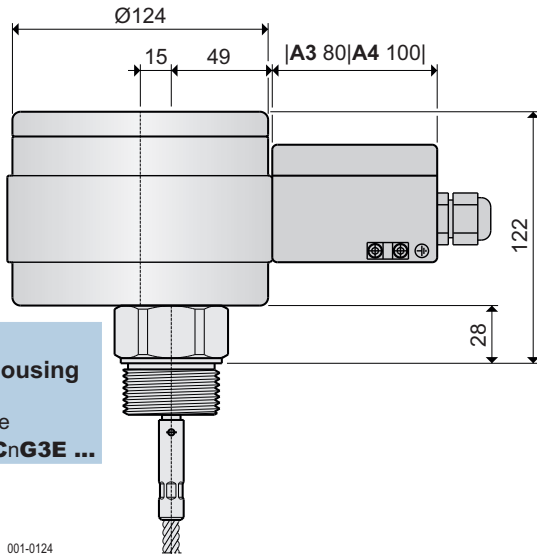


Full, empty and demand indicator for vertical mounting with pendulum shaft

Signal contact 2 A / 250V AC potential-free
 Type of protection IP66 in accordance with DIN EN 60529
 Maintenance none

4



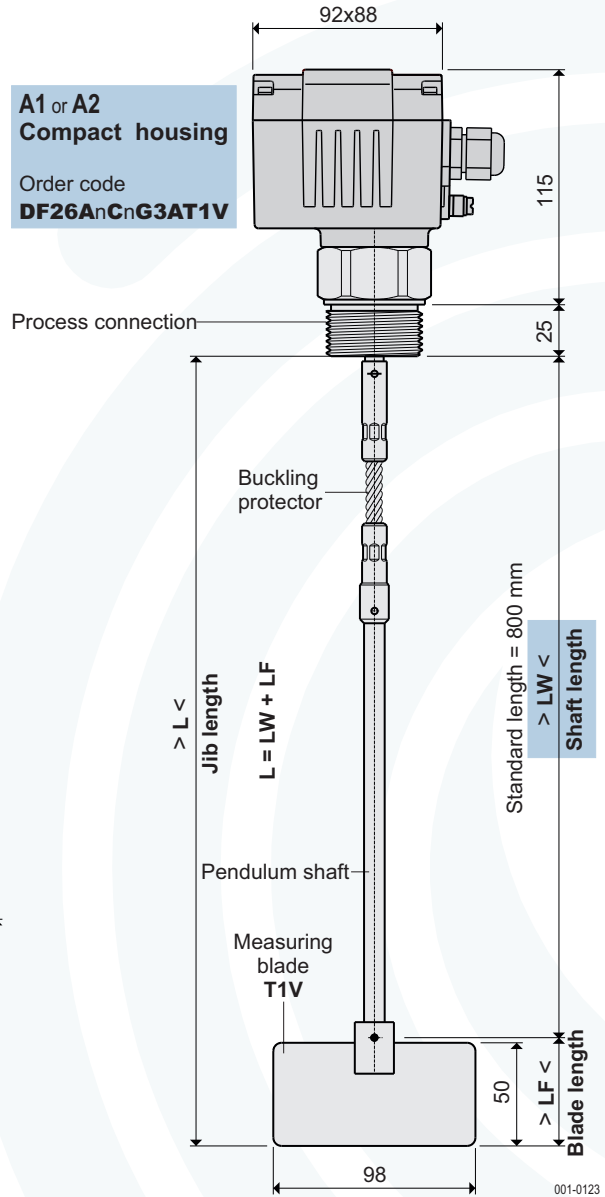
**A3 or A4
Round housing**

Order code
DF26AnCnG3E ...

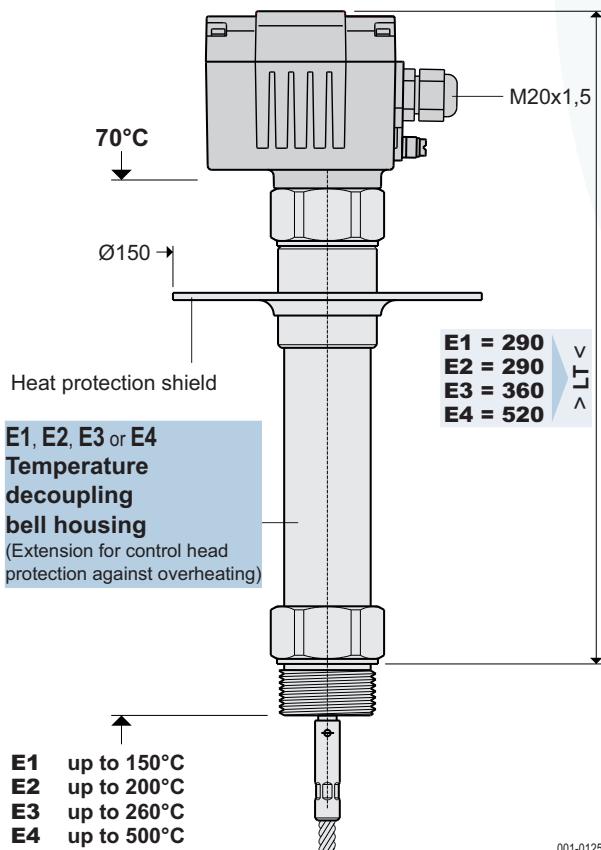
001-0124

**A1 or A2
Compact housing**

Order code
DF26AnCnG3AT1V



001-0123



001-0125

You will find further technical details under appliance information DF-GI-..

