

Rotary blade level indicators

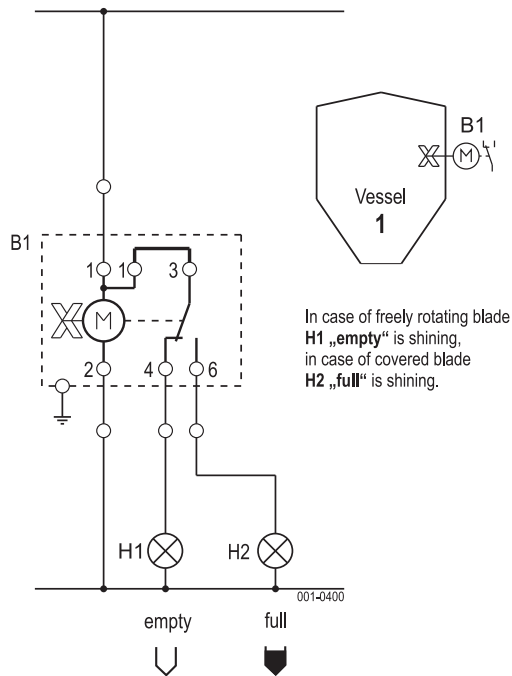
Level limit switches for bulk goods

DF

Examples of circuit diagrams

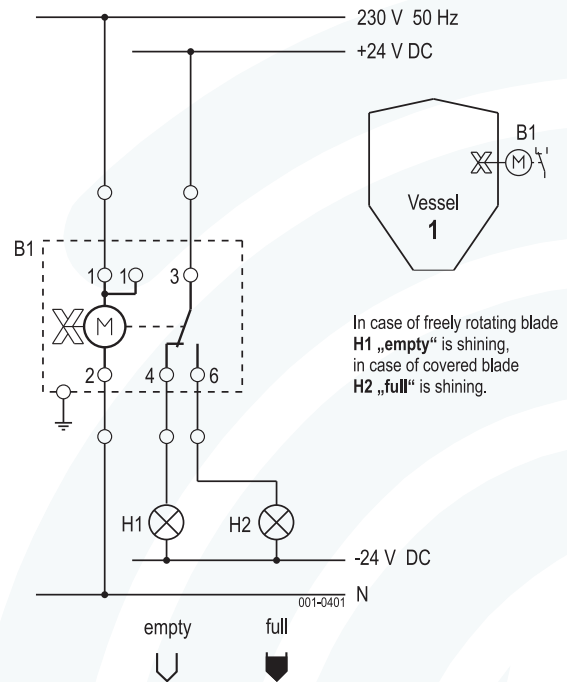
Index	Page
Signal „empty“ and „full“, Signal „malfunction“, Safety circuit	02
Full signal with signal lamp and horn	03
Automatic filling process of a vessel	04
Filling process of 3 silos - activation with selector switch resp. coupling limit switch	04
Signal delay - empty signal resp. full signal	05
Automatic overfill control of a silo	05
Security circuit for the version DF..A1B2 and DF..A2B2	06

Signal „empty“ and „full“

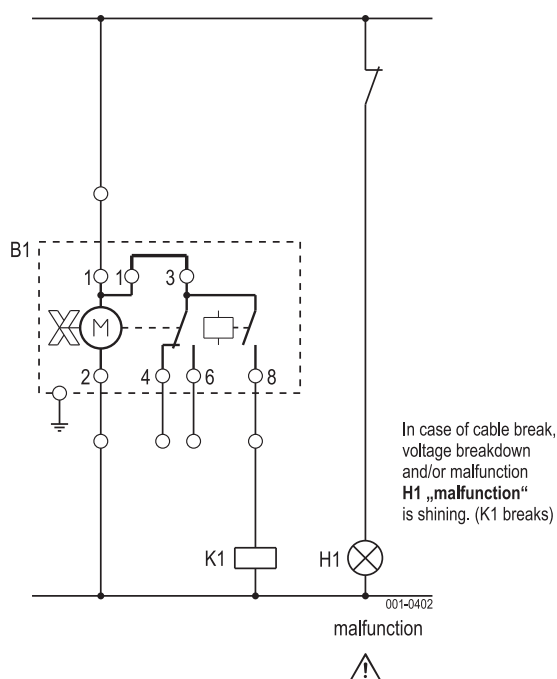


Signal „empty“ and „full“

In the case of independent potential

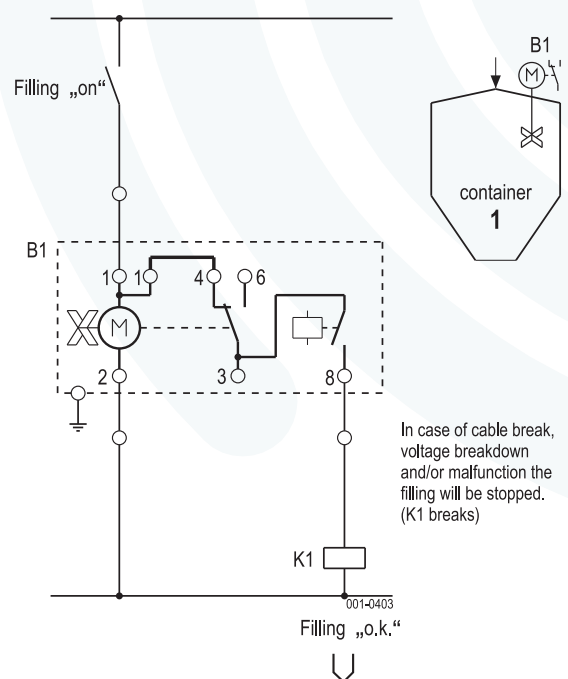


Signal „malfunction“ option D1 or D2



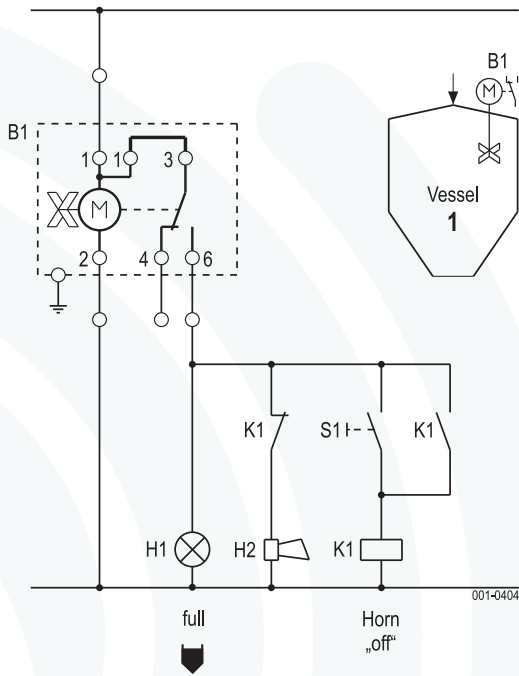
Security circuit with option D1

max. security during filling of vessels



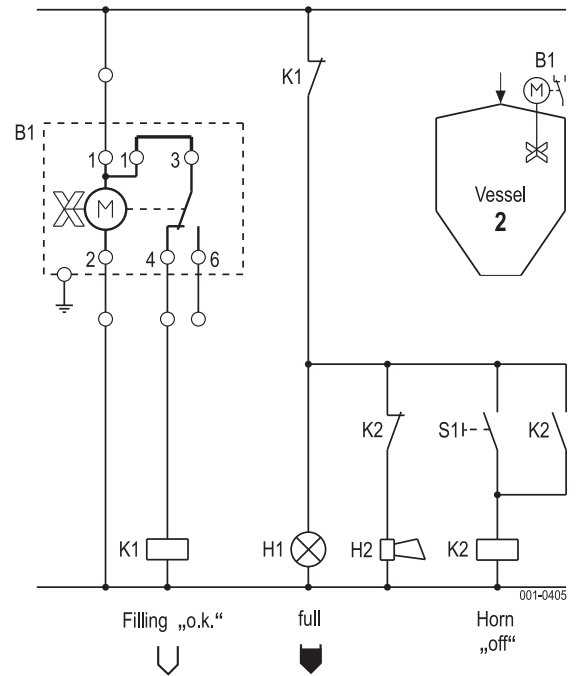
Full signal with lamp and horn

During filling process of vessels

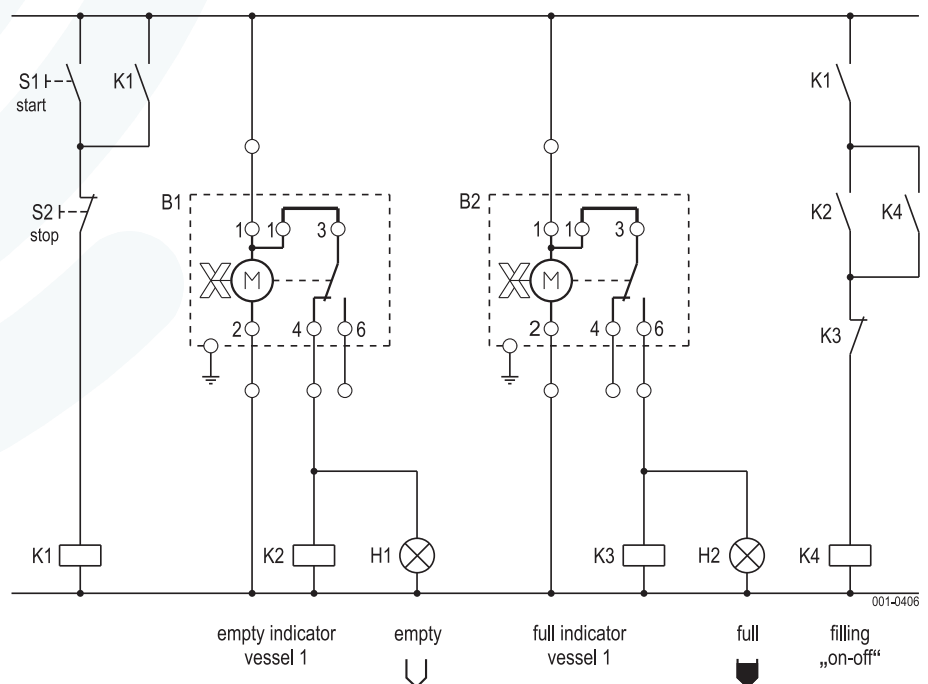
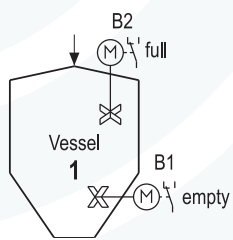


Full signal with lamp and horn

Security circuit during filling process of vessels

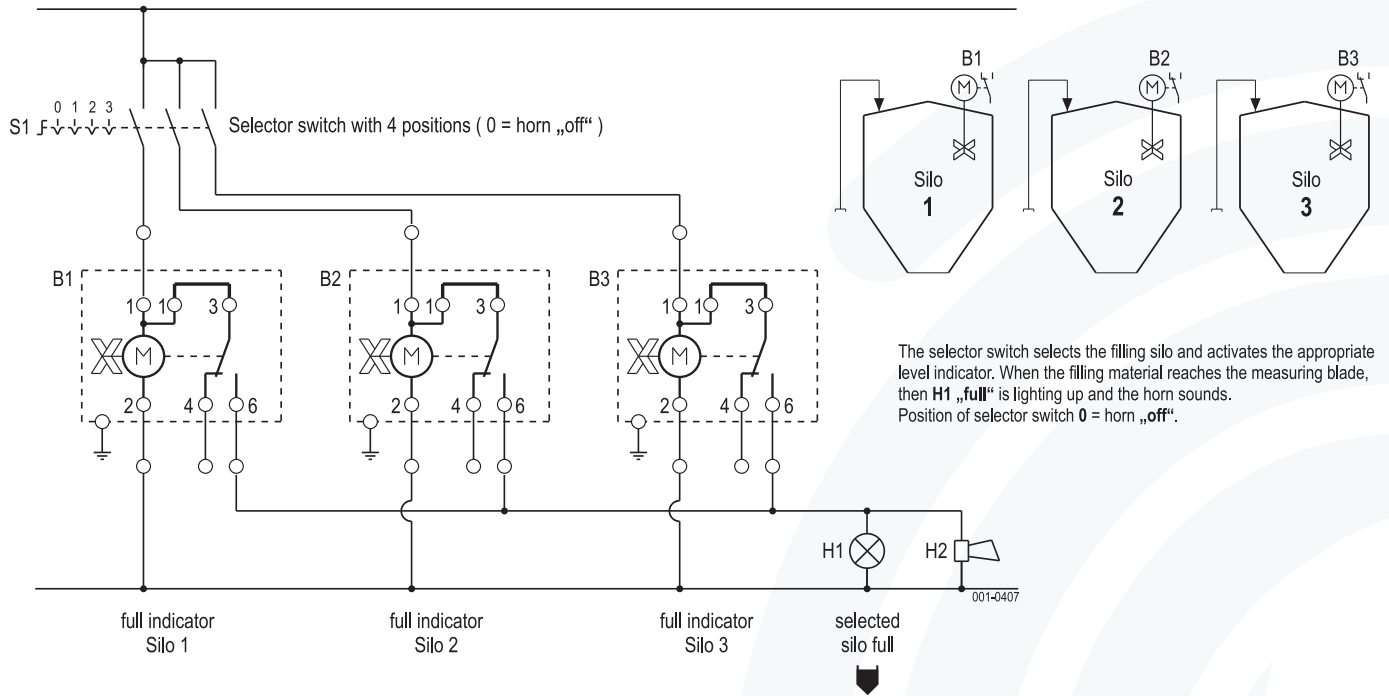


Automatic filling process of a vessel



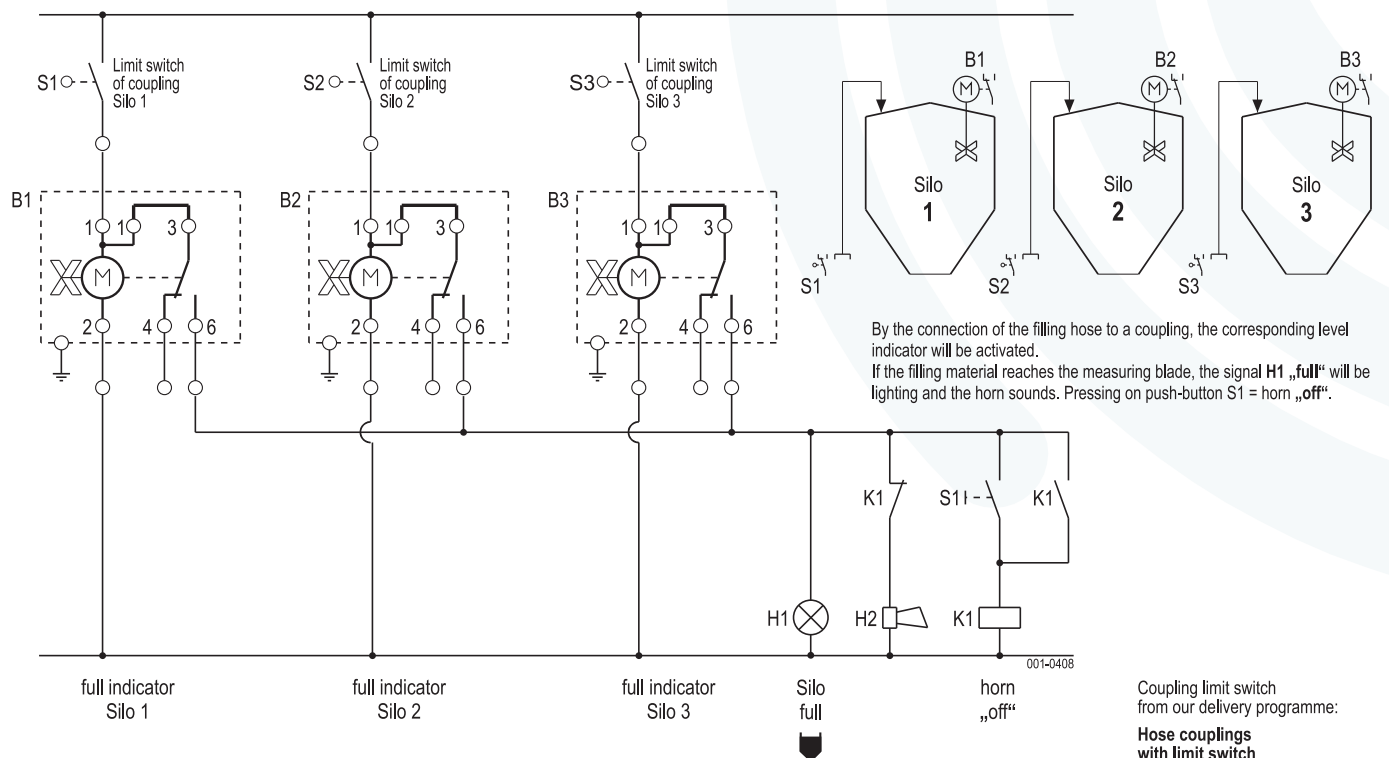
Filling process of 3 silos

Activation of the level indicator in the filling silo with selector switch 0-1-2-3



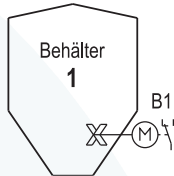
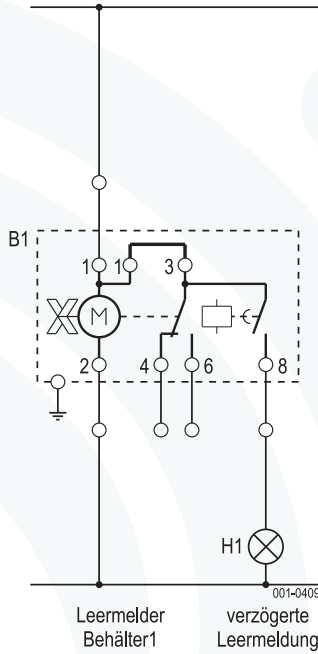
Filling process of 3 silos

Activation of the level indicator in the filling silo with coupling limit switch



Signal delay - Empty signal

Option D3



Option D3 verzögert die Leermeldung

Die Leermeldung wird an der Klemme 8 um 1,5 Sekunden verzögert.

(Relaiskontakt schließt 1,5 sec verzögert nach dem Schließen des Kontaktes nach Klemme 4.)

Bei Vollmeldung öffnet der Relaiskontakt sofort (ohne Verzögerung).

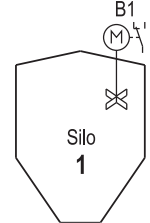
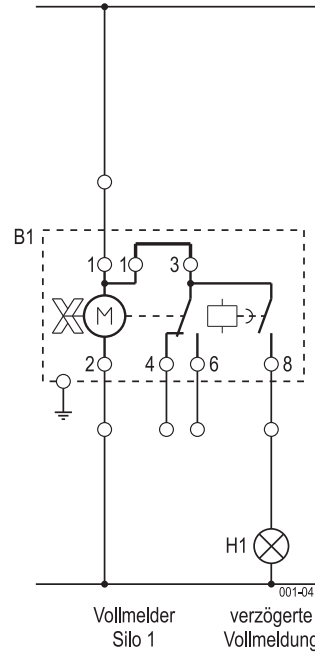
Leermelder Behälter1

verzögerte Leermeldung



Signal delay - Full signal

Option D4



Option D4 verzögert die Vollmeldung

Die Vollmeldung wird an der Klemme 8 um 1,5 Sekunden verzögert.

(Relaiskontakt öffnet 1,5 sec verzögert nach dem Schließen des Kontaktes nach Klemme 6.)

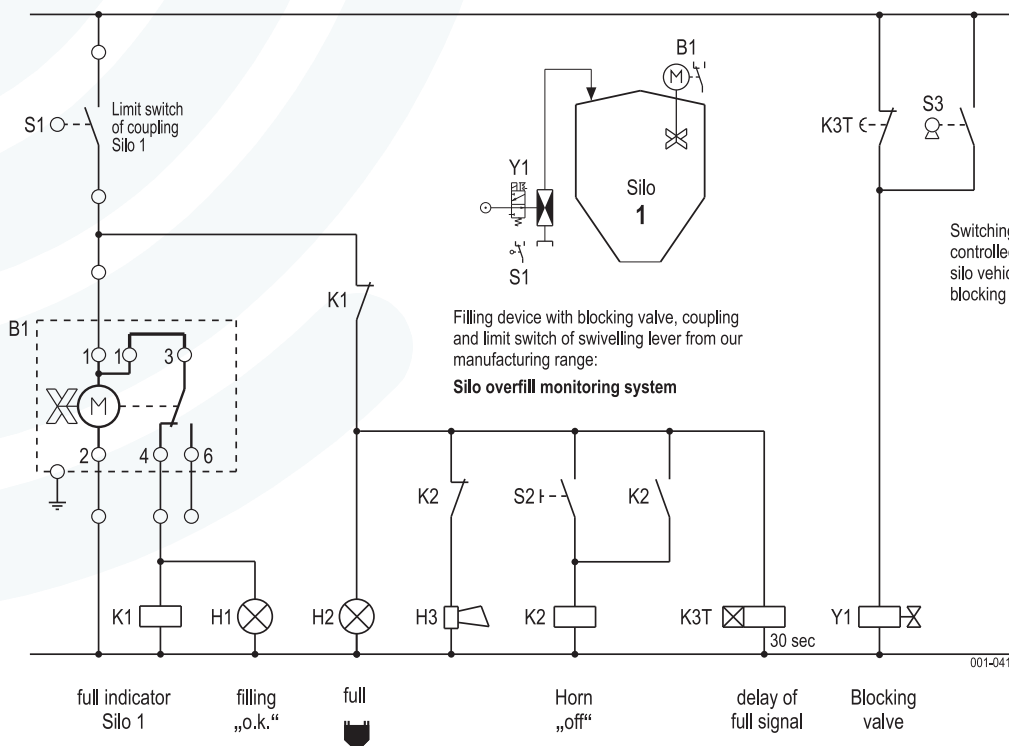
Bei Leermeldung schließt der Relaiskontakt sofort (ohne Verzögerung).

Vollmelder Silo 1

verzögerte Vollmeldung

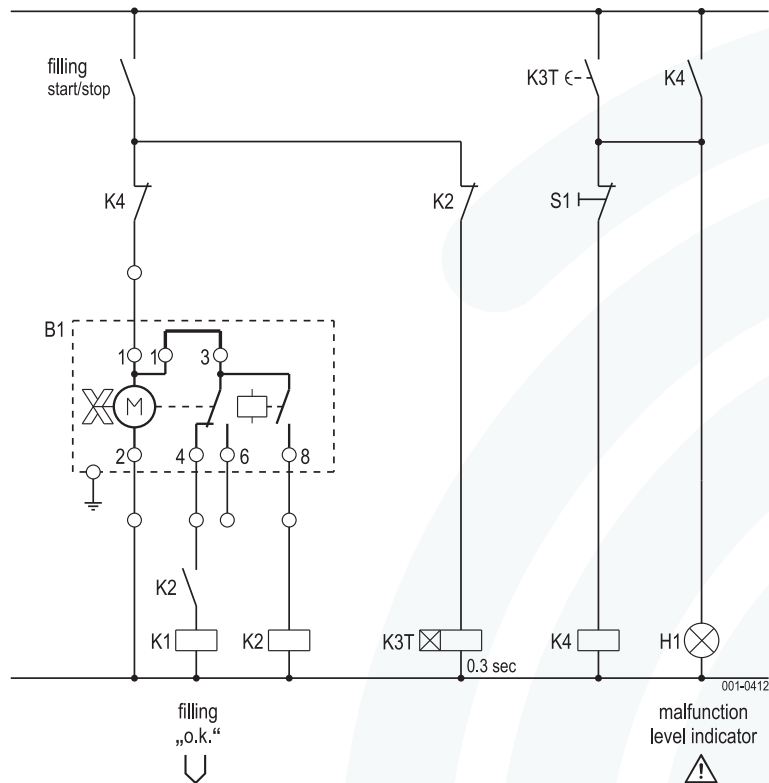
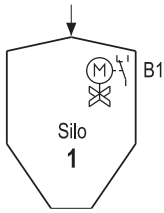


Automatic overflow control of a silo



Security circuit for the versions DF..A1B2 and DF..A2B2

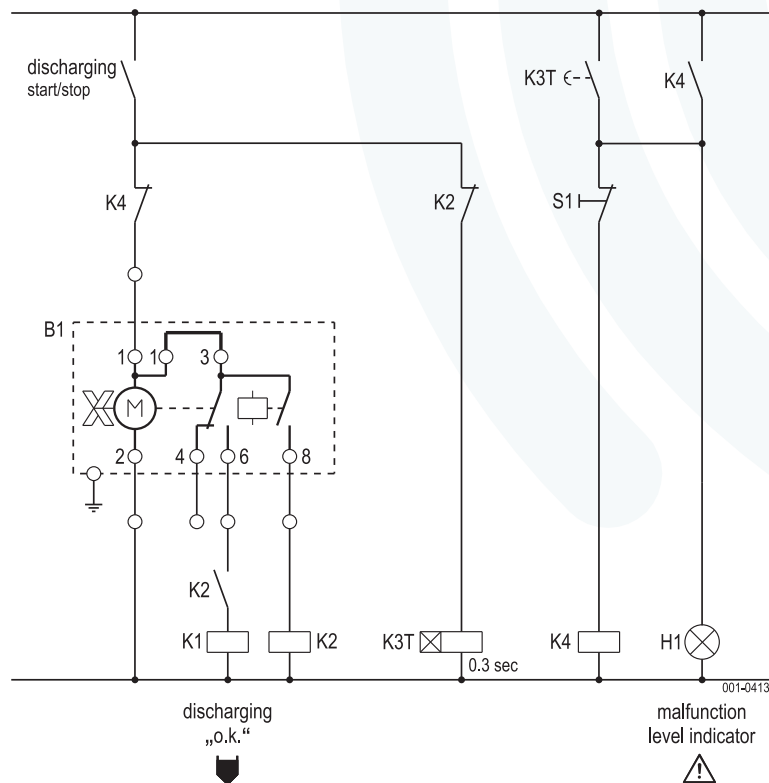
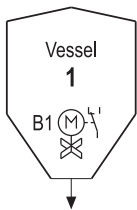
Level indicator for use as **full** indicator



This circuit ensures that the level indicator will be completely cut off from the mains power supply, if "malfunction" is signaled and an automatic restart will be prevented.

Security circuit for the versions DF..A1B2 and DF..A2B2

Level indicator for use as **empty** indicator



This circuit ensures, that the level indicator will be completely cut off from the mains power supply if "malfunction" is signaled and an automatic restart will be prevented.