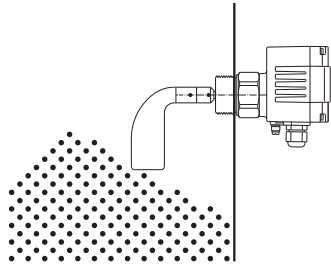
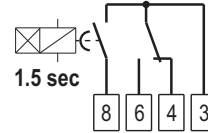


Signal delay - Empty indication

Option **D3** retards the empty indication



001-0154

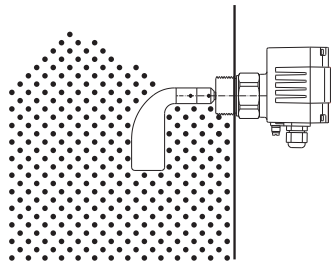


001-AP10

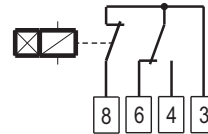
Switching position by empty indication
(Measuring blade is rotating)
and after the delay.

Upon sagging of the bulk, the "empty" message at terminal 8 is delayed for 1.5 seconds.

Relay contact to terminal 8 opens with a delay of 1.5 sec after contact with terminal 4 has been engaged.



001-0155

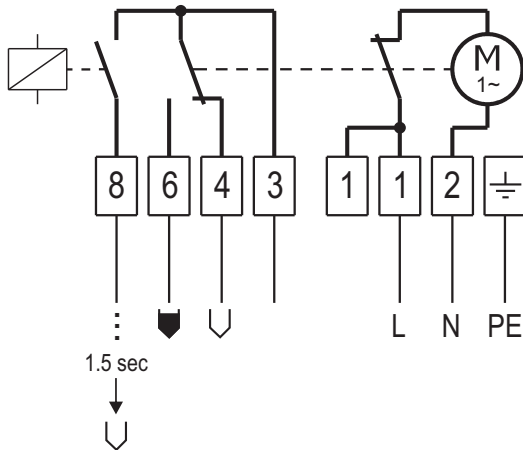


001-AP11

Switching position by full indication
Full indication - "not empty".
(Measuring blade has stopped)

When the level of the bulk rises ("full" message), the relay contact engages immediately without delay.

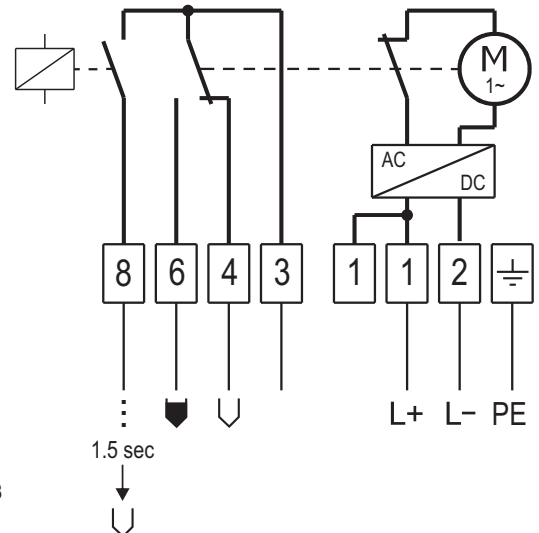
Circuit diagram AC with signal delay D3



001-AP12

safety-focused connection from terminal 3 to terminal 8
"full" is cancelled - stop emptying

Circuit diagram DC with signal delay D3



001-AP13

ATTENTION! Level indicator is always to be brought into circuit so that no undesirable switching function can occur in the case of mains voltage failure.