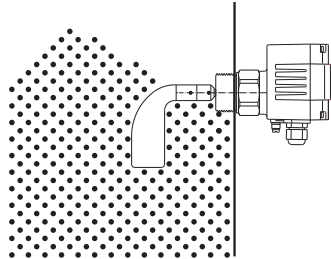
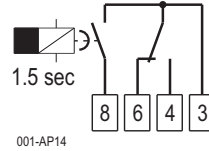


Signal delay - Full indication

Option **D4** retards the full indication



001-0155

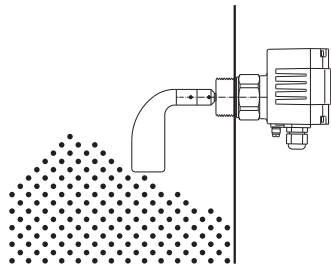


Switching status during full indication
(Measuring blade stands still)
and after run-down of the delay time.

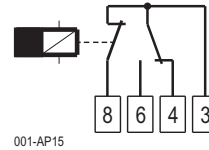
001-AP14

The full signal will be delayed on clamp 8 for 1.5 seconds.

Relay contact to clamp 8 opens with 1.5 sec delay after opening the contact to clamp 4.



001-0154

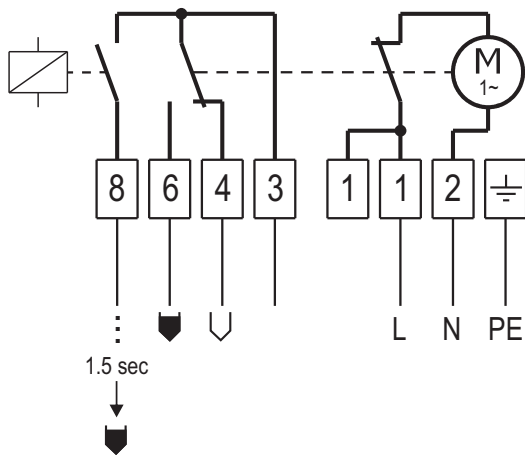


Switching status during the empty indication - "not full".
(Measuring blade rotates free)

001-AP15

In the case of empty indication, the relay closes immediately (without any delay).

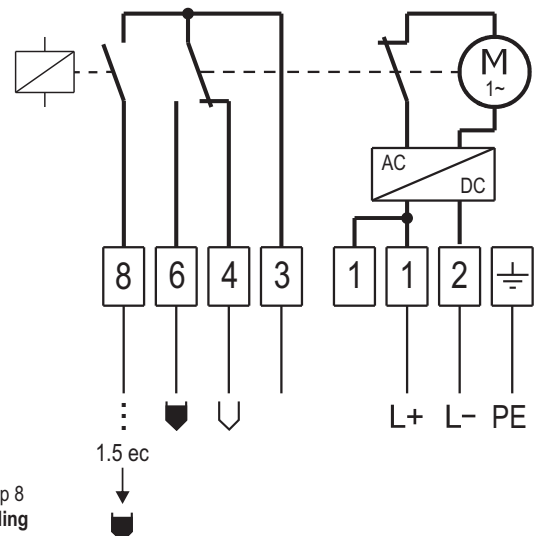
Circuit diagram AC with signal delay D4



001-AP12

security circuit from clamp 3 to clamp 8
"empty" will be canceled - stop filling

Circuit diagram DC with signal delay D4



001-AP13

ATTENTION! Level indicator is always to be brought into circuit so that no undesirable switching function can occur in the case of mains voltage failure.