

Appliance heating E74

The lubrication of the transmission (Grease) is designed for temperatures as low as -25 °C. Still lower temperatures render the grease so stiff and viscous that the motor cannot be started.

For this reason, the level indicator must be heated if the temperature is below -25 °C.

Specification

If the level indicator is turned on (Voltage on) in cold condition (e.g. with a temperature of -40 °C):

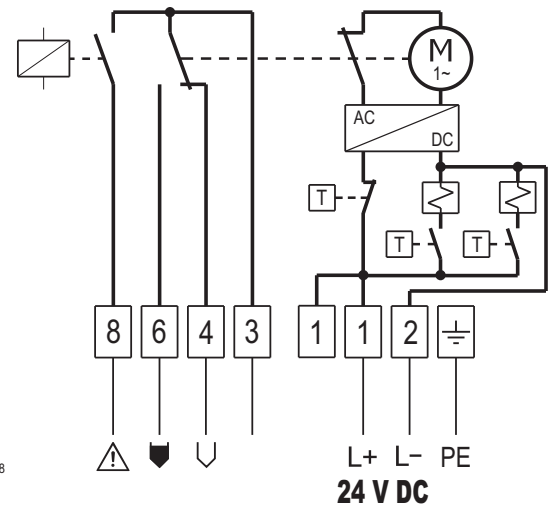
- The control head is heating to a proper operating temperature first before the function of level indicating will be activated.
- During this heating up period no voltage is on terminal 8 and it is signaling "Device is not in operation".
- By reaching the operating temperature after about 20 up to 30 minutes the temperature control turns the function of the level indicator on.
- The signal "Device not in operation" switches off. (Voltage on terminal 8).
- During the whole operating time the electronic controls the optimal temperature for a trouble-free operation.

The Technical Data presented here are to be considered as maximum values, relating only to the equipment described herein. Depending on the selection of options and instruments used, these data must be considered or reduced correspondingly.

Technical Data

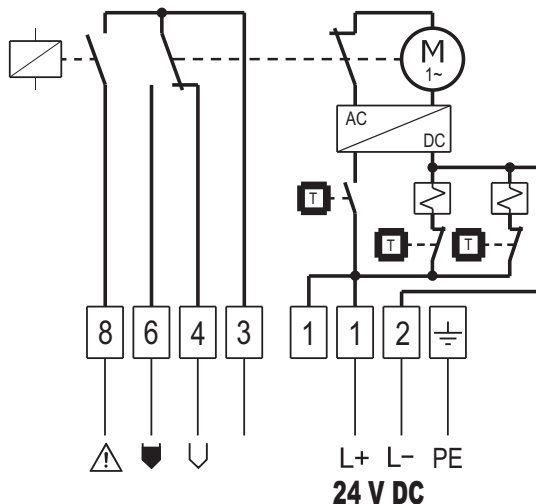
Ambient temperature	-40 °C ... +70 °C T_a
Bulk goods temperature	-40 °C ... +80 °C $T_{(Process)}$
Current consumption	maximum 7 Watt

Circuit diagram DC



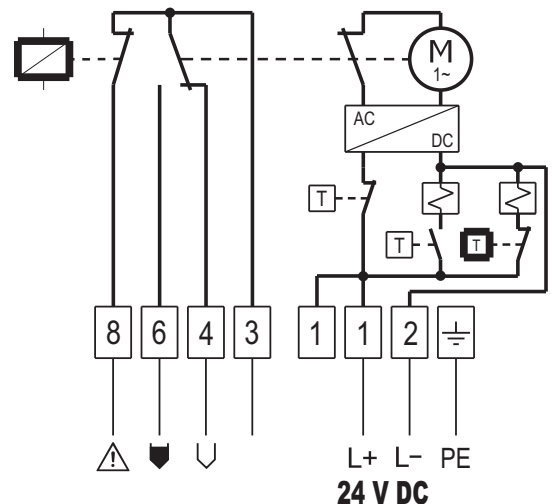
001-AP18

Level indicator after turned on with -40 °C



Outlet terminal 8 – no voltage signaling "Device not in operation"

Level indicator with operating temperature



Outlet terminal 8 – voltage on signaling "no malfunction on device"

ATTENTION! Level indicator is always to be brought into circuit so that no undesirable switching function can occur in the case of mains voltage failure.