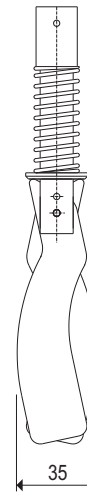
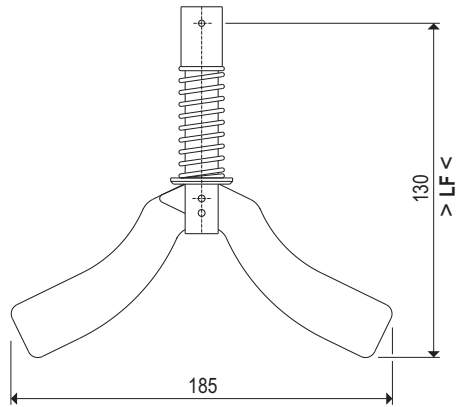


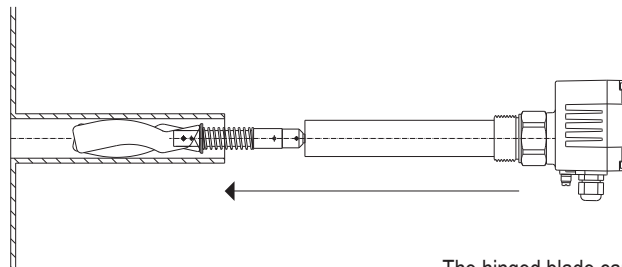
**Measuring blade** Type of protection for all showed measuring blades:  II 1GD c IIC TX

**K3V Hinged blade, reinforced**



Folded, to conduct trough a socket with thread G1¼.

**Mounting**



The hinged blade can be also inserted trough a long tube socket.

The blade is unfolding itself by the spring force.

During the dismantling the blade is folding itself.

By the rounded oval shape, the blade glides effortless trough the tube socket, also if there are threads or surface irregularations inside.

