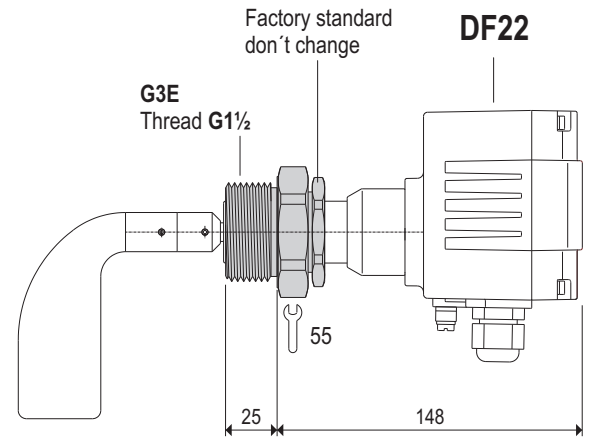


Vibration dampening VD

For use of level indicators close to vibrators or beaters.

Is dampening vibrations and absorbs impacts transmitted to the indicator.

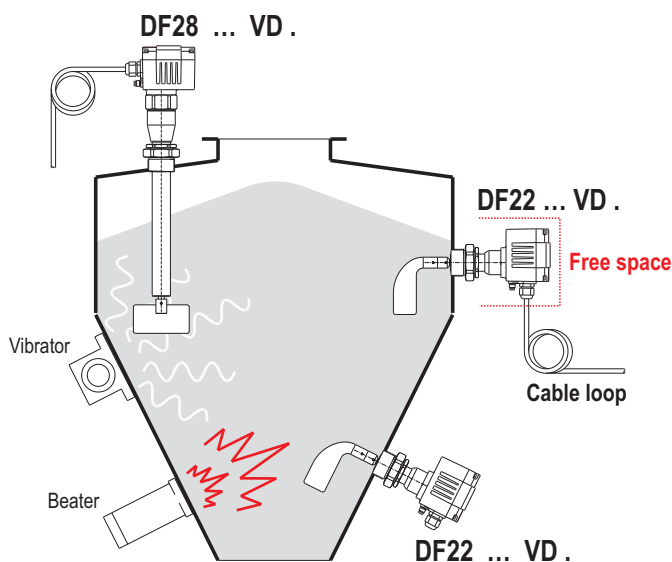
Housing Material	1.4301 / 304 optional 1.4571 / 316 Ti
Sealing	(Standard) N NBR, black 030-006-DIR-NBR optional E Silicon, white FDA 03-006-DIR-SI
Process connection	G1½ (G3E) Flanges on demand
Mounting position	any
Bulk goods temperature	VDN -25 °C ... +80 °C $T_{(Process)}$ VDE -25 °C ... +150 °C Higher temperature on request
Vessel pressure	-0.5 bar ... 2 bar $p_{(Process)}$



Mesuring blade depending on selection of the options

The Technical Data presented here are to be considered as maximum values, relating only to the equipment described herein. Depending on the selection of options and instruments used, these data must be considered or reduced correspondingly.

Application by vibration



Mounting / Installation

The vibration dampening is available with the level indicators

DF22 and

DF28

DF28 only with option KD and up to maximum jib length **LE** 500 mm

The rotary blade level indicator has to be mounted in such way that a free space for movement of about 15 up to 20 mm around the control head exists.

Power supply has to be laid out carefully with a flexible cable (e.g. Ölflex) and a loop. Fasten the cable only behind the loop. Depending on the vibration transfer the control head can move in any direction.