

# Yo-Yo sensing level measurement

continuous level measurement for bulk solids

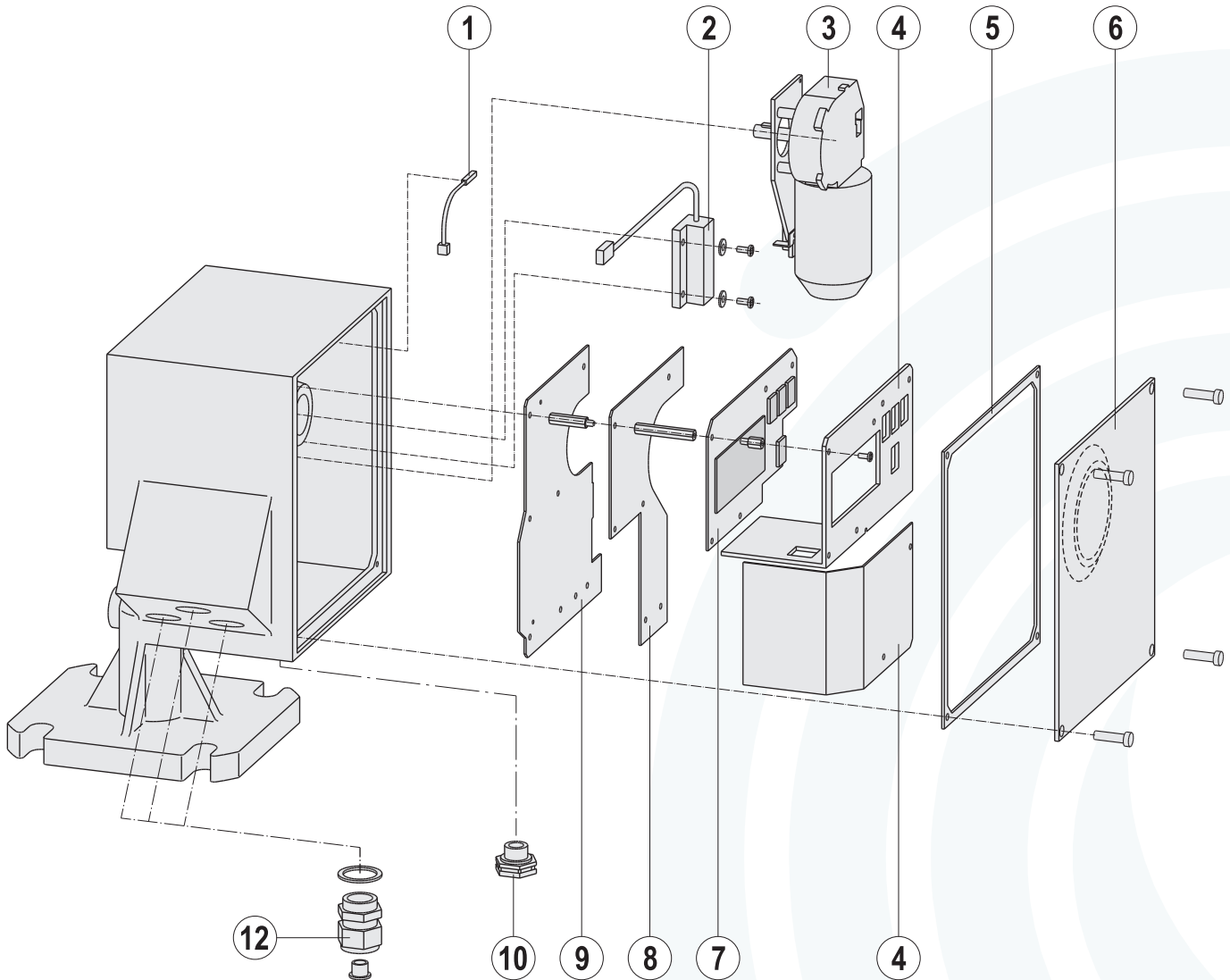
# LF

## Spare parts

### ATEX

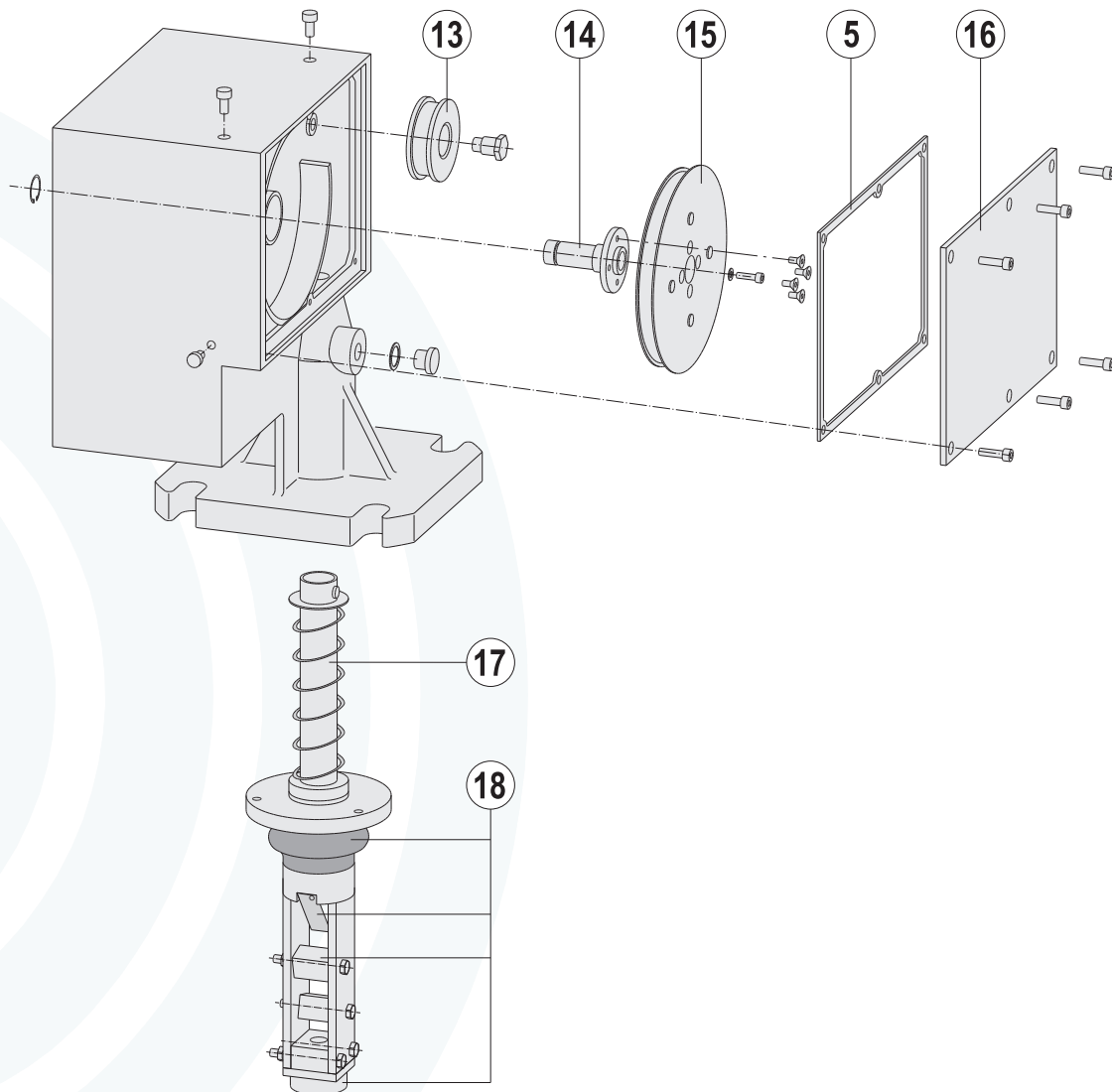
Index	Page
Electronics and motor .....	02
Mechanics, tape spool and wiper .....	03
Sensing weight mounting and sensing weights .....	04

**Spare parts - electronics and motor**



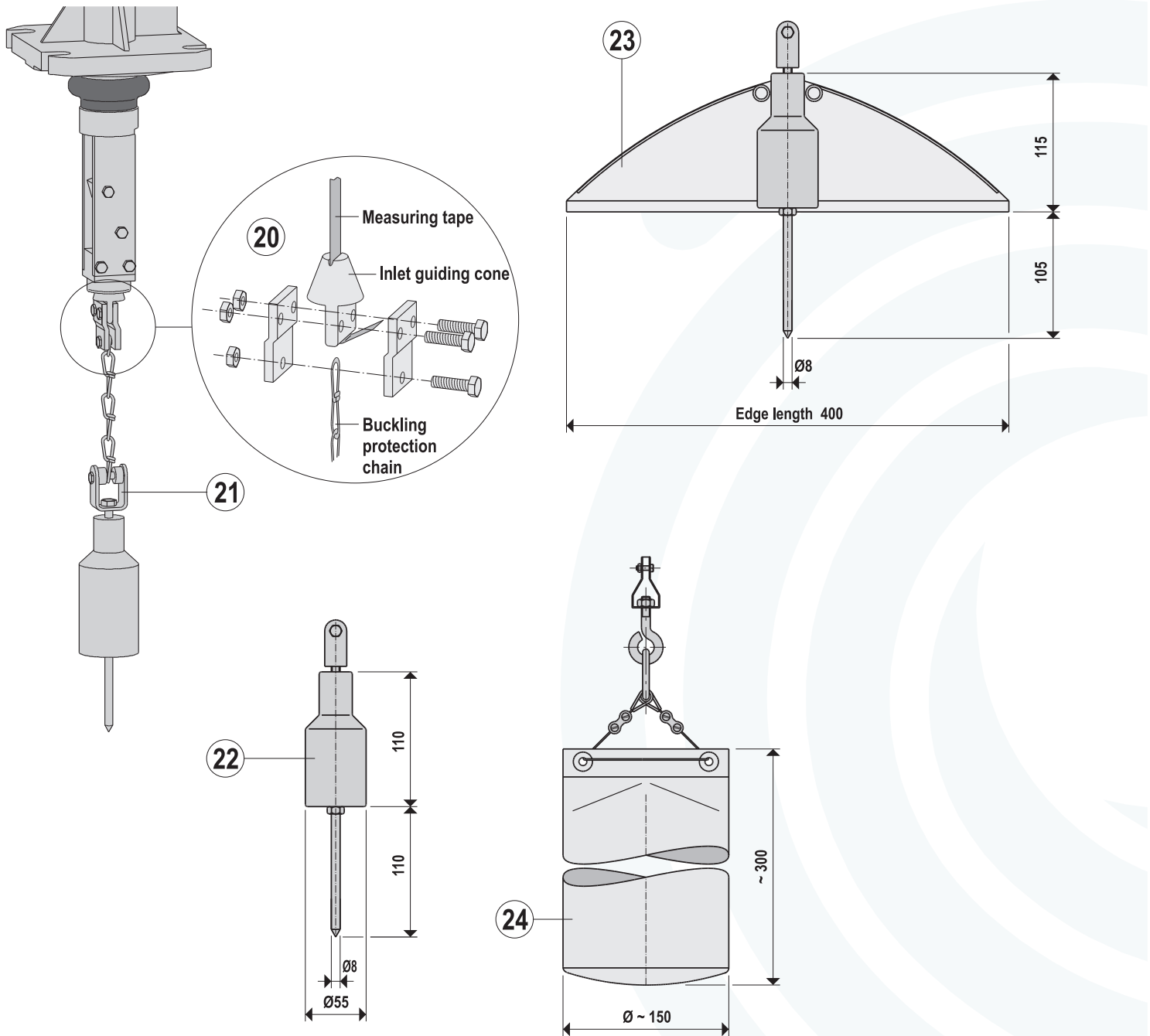
Pos.	Artikel-Nummer	Benennung
1		Thermal fuse (Ex version)
2	LF71031795	Device heating, 115/230 V AC
	LF71031709	Device heating, 24 V DC
3	LF71031654	Motor-gearbox combination, 24 V DC, 150 N
4	LF71031706	Electronic cover - steel plate with inscription
5	LF71031653	Cover seals for electronics and mechanics compartment
6	LF71031695	Housing cover for electronics compartment made of aluminium including cover sealing
	LF71031697	Housing cover for electronics compartment made of aluminium with integrated window including cover sealing
7	LF71031783	PCB processor with display
8	LF71031779	PCB power supply 90 ... 253 V AC
	LF71031781	PCB power supply 20 ... 28 V DC
9	LF71031745	PCB basic electronic 90 ... 253 V AC, with 2 relay
	LF71031749	PCB basic electronic 90 ... 253 V AC, with 2 relay and heating connection
	LF71031746	PCB basic electronic 90 ... 253 V AC, with 4 relay
	LF71031750	PCB basic electronic 90 ... 253 V AC, with 4 relay and heating connection
	LF71031769	PCB basic electronic 20 ... 28 V DC, with 2 relay
	LF71031773	PCB basic electronic 20 ... 28 V DC, with 2 relay and heating connection
	LF71031770	PCB basic electronic 20 ... 28 V DC, with 4 relay
	LF71031774	PCB basic electronic 20 ... 28 V DC, with 4 relay and heating connection
10	RST DAE SS	Element for protection against condensation M12x1,5 made of stainless steel
12	LF71031694	Cable gland M20x1,5 made of plastics

**Spare parts - mechanics, tape spool and wiper**



Pos.	Artikel-Nummer	Benennung
13	LF71031650	Counting wheel, fully mounted
14	LF71031649	Drive shaft including ball bearing, shaft seal and mounting material
15	LF71031658	Tape spool with measuring tape, 15 m
	LF71031671	Tape spool with measuring tape, 32 m
	LF	Tape spool with measuring tape, 42 m
16	LF71031699	Housing cover for mechanics compartment made of aluminium
17	LF71031621	Wiper for tape 230 mm, aluminium/steel, process temperature up to +70 °C
	LF71031622	Wiper for tape 230 mm, stainless steel, process temperature up to +70 °C
	LF71031623	Wiper for tape 230 mm, aluminium/steel, process temperature up to +150 °C
	LF71031624	Wiper for tape 230 mm, stainless steel, process temperature up to +150 °C
	LF71031625	Wiper for tape 500 mm, aluminium/steel, process temperature up to +70 °C
	LF71031626	Wiper for tape 500 mm, stainless steel, process temperature up to +70 °C
	LF71031627	Wiper for tape 500 mm, aluminium/steel, process temperature up to +150 °C
	LF71031628	Wiper for tape 500 mm, stainless steel, process temperature up to +150 °C
	LF71031629	Wiper for tape 1000 mm, aluminium/steel, process temperature up to +70 °C
	LF71031630	Wiper for tape 1000 mm, stainless steel, process temperature up to +70 °C
	LF71031631	Wiper for tape 1000 mm, aluminium/steel, process temperature up to +150 °C
	LF71031632	Wiper for tape 1000 mm, stainless steel, process temperature up to +150 °C
18	LF52028080	Spare parts kit for wiper, process temperature up to +70 °C
	LF52028081	Spare parts kit for wiper, process temperature up to +150 °C

**Spare parts - sensing weight mounting and sensing weight**



Pos.	Artikel-Nummer	Benennung
20	LF52028088	Sensing weight mounting made of aluminium/steel including tape border, rotating bush, chain and mounting material
	LF52028089	Sensing weight mounting made of stainless steel including tape border, rotating bush, chain and mounting material
21	LF52028100	Rotating bush made of steel including mounting material
	LF52028101	Rotating bush made of stainless steel including mounting material
22	LF71031615	Normal sensing weight made of steel including rotating bush
	LF71031616	Normal sensing weight made of stainless steel including rotating bush
23	LF71031617	Umbrella with steel sensing weight including rotating bush
	LF71031618	Umbrella with stainless steel sensing weight including rotating bush
24	LF71031619	Bag sensing weight including rotating bush